

USER MANUAL

HIGH PERFORMANCE 4 CHANNEL DRONE WITH 720P HD CAMERA
PN: CFR1000



Read these instructions carefully before using the drone and save them for future reference.

1. WARNINGS

- Follow all local / municipal / federal rules and regulations for operating a drone
- The drone is designed for ages: 14+
- Adult supervision is always advisable with any form of flying toy
- Always ensure your flight area is free of all obstacles before taking off, and ensure the drone is always flown in excess of 1.5 meters from yourself and others
- Remove all batteries from the drone and controller when not in use
- Never overcharge
- Never leave a charging drone unattended
- Never touch the drone's motors during or after flying as they can get hot
- Never touch the blades when they are in motion
- If the drone becomes damaged, stop using it immediately
- Do not dispose of any parts of the drone or controller in the normal trash; all parts should be taken to your local recycling center
- The battery in the drone should never be exposed to any form of high temperature or disposed of in a fire

2. WHAT IS IN THE BOX

- 1 x RC Drone
- 1 x 3.7V 900 mAh battery
- 1 x USB cable
- 4 x blades
- 4 x blade guards
- 1 x user manual
- 1 x remote control
- 1 x screwdriver

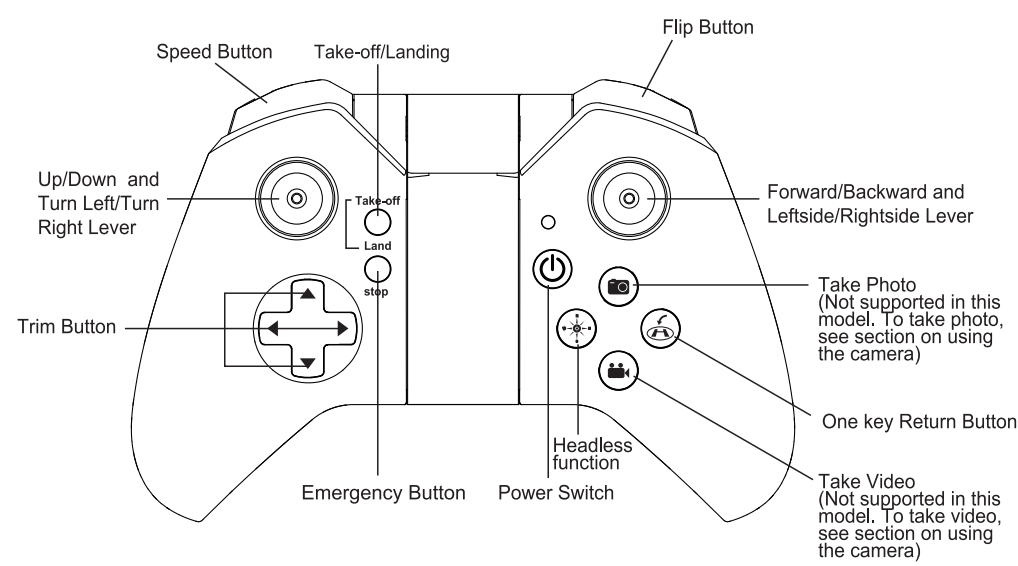
3. OPERATION PARAMETERS

- Frequency: 2.4G
- Channel: 4ch
- Gyro: 6 axis
- Motor type: brushed motor
- Drone battery: 3.7V 900 mAh (included)
- Remote control battery: 3 x 1.5V AA battery (not included)
- Charging time: about 60 mins.
- Flying time: average 10 to 15 mins. – depending on operating environment and conditions
- R/C distance: 50 to 80 meters
- Color: black
- Camera: 2.0MP 720P
- Drone's size: 32.5 x 32.5 x 6 cm (arms not folded)
18 x 13 x 6 cm (arms folded)
- Flight weight: 158g
- Product part number: CFR1000

4. ORDERING REPLACEMENT PARTS

- Please visit www.cirago.com if you need to order replacement parts for:
- blades
 - blade guards
 - battery for the drone

5. CONTROLLER COMPONENTS



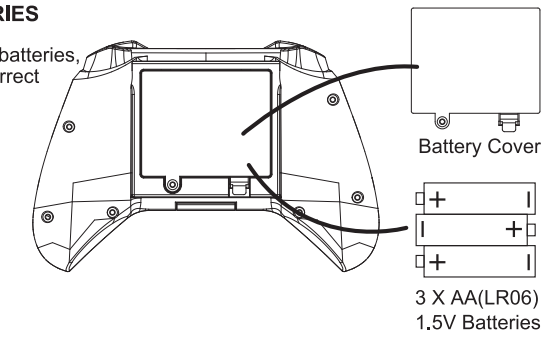
6. SETTING UP THE CONTROLLER / DRONE

INSTALLING THE CONTROLLER BATTERIES

- Unscrew the battery cover, and insert 3 *AA batteries, making sure you insert them following the correct polarity as shown.
- Re-attach the battery cover

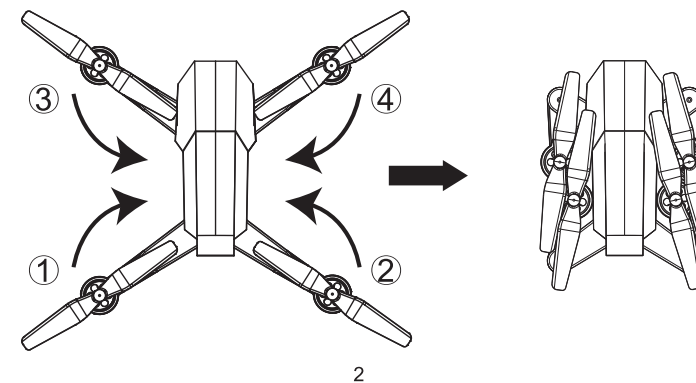
NOTICE:

- Always have an adult to install the batteries
- Always use Alkaline Batteries
- Never mix old and new batteries

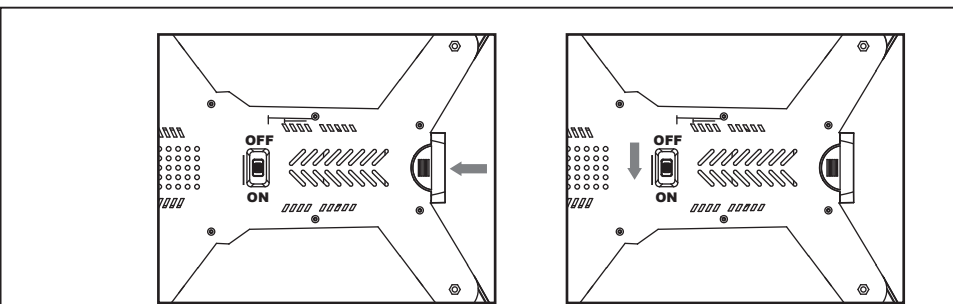


7. FOLDING THE ARMS

FOLD THE ARMS AS THE ORDER OF NUMBER AS THE PICTURE SHOW



11. SWITCHING THE DRONE ON AND OFF



Step 1 Insert the battery to the battery housing (see first picture). Turn on the power switch of the drone - the LED's on the drone will start to flash. Place the drone down on a flat surface, making sure the drone is facing away from you.

Step 2

- Turn on the remote control
- Wait a few seconds
- Push UP on the throttle button one time -> there will be a 'beep' sound
- Pull DOWN on the throttle button one time -> there will be a 'beep' sound
- The drone is ready to fly

Step 3

Always turn off the Power Switch of the drone after flight.

Step 4

Always turn the controller off after flight, and remove all batteries if leaving un-used for a long period of time.

12. FLYING THE DRONE

You can fly the drone using two ways:

- Using only the remote control
- Using the app on your smartphone (refer to the section on "Installing the app")



13. AUTO-HOVER

Tip: Below operation only available for altitude hold version.

START YOUR FIRST FLIGHT:

Push both control levers to the positions shown in the picture, and hold them for a few seconds. The lights on the drone will start to flash. The motor starts working.

AUTO-HOVER:

Press the "take-off /Land" button (1) once, the drone automatically goes up to air and stays at a height of around 1.5 meters. After that push the left stick to keep the drone at any height you wants.

Press the "take-off /Land" button again, the drone will slowly goes down to the floor and finally the motors stop spinning.

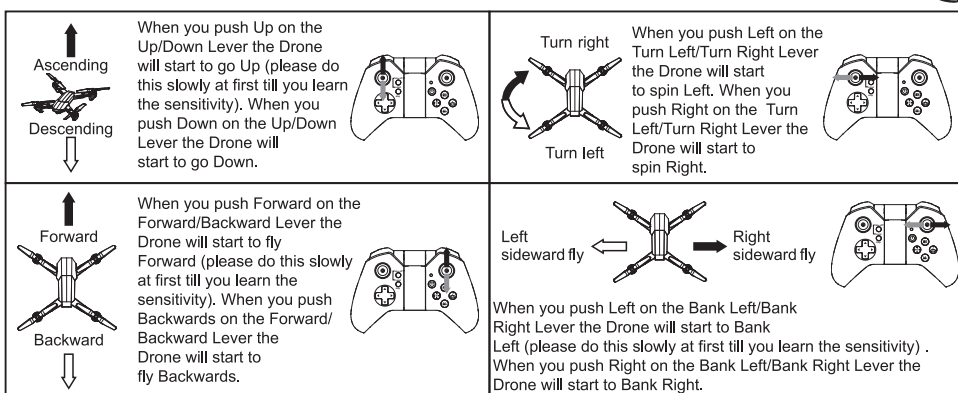
Emergency Button:

In case the drone is to crash against the wall or hit the tree, you can Press the " Stop " button (2) , at the same time, the motors will stop spinning at once and the drone falls to the floor immediately. Make sure there is no people below the drone.

14. FLIGHT CONTROL

PLEASE USE THE CONTROLLER TO PRACTICE SIMULATED FLIGHTS BEFORE YOU ACTUALLY TAKE THE Drone IN THE AIR FOR THE FIRST TIME

Place the Drone on a flat surface, making sure the Yellow LED Lights is facing away from you.



TIP: It is much easier when you start to learn to fly the Drone, to ignore Turn Right / Turn Left. By using Up/Down, Forward/Backward, Bank Left/Bank Right, the Drone will still be able to fly anywhere.

15. HOW TO DO A 360 FLIP

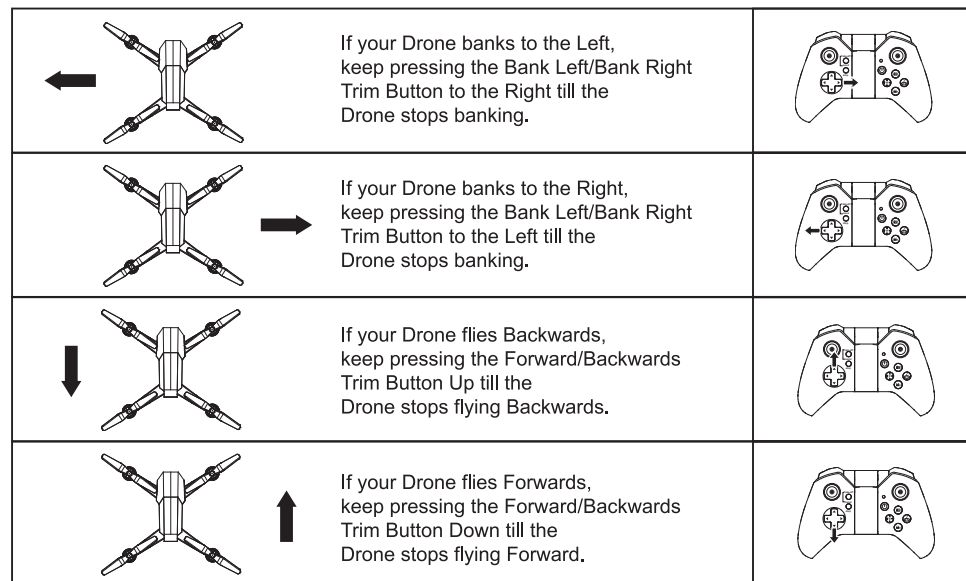
- Make sure the Drone is flying at least 3 meters above the floor, or 3 meters below a ceiling.
- Press the Flip button on the controller. The controller will make a "Beep" sound, then flick the right hand lever in any direction, and the Drone will flip in that direction.
- You may need to push Up on the Up/Down Lever after the flip, if your battery is low on power in order to keep the Drone high in the air after the Flip.

16. SPEED CONTROL

SPEED CONTROL: When you first turn on your Drone, it is set to 25% speed, you will hear ONE beep. When you press the SPEED BUTTON, you will hear TWO beeps and the speed will be increased to 50%. Pressing the SPEED BUTTON again you will hear THREE beeps and the speed will increase to 100%. Pressing again will bring you back to 25% speed and you will hear ONE beep. Always learn to fly at 25% speed, and then you can increase it as you get better at flying.

17. FLIGHT ADJUSTMENT SECTION

When you lift your Drone into the air, and don't use any of the other direction levers, your Drone should simply hover in one small area without moving in any other direction. If however it doesn't, you can follow the below instructions to TRIM your Drone back to a hovering position in a small area. TRIMMING is always needed before your first flight. When flying the drone outside, the drone may move around due to draft.



18. AUTO TRIM FUNCTION

Push both control levers to the positions shown in the picture, and hold them for a few seconds. The lights on the drone will start to flash. Now the drone is recovered to its original factory setting and ready to fly again.

19. HEADLESS AND ONE KEY RETURN FUNCTION

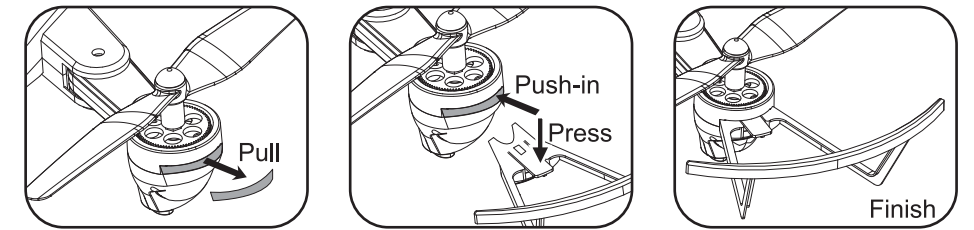


1.Headless function: Press the Trim Slider button left, you will get into compass mode flying. To quit from compass mode by Press the same slider button.

2.One key return function: Press the Trim Slider button Right, you will get into one key return mode. To quit the mode by Press the same slider button.

8. INSTALL THE BLADE GUARD

Pull the accessory (Pic 1) and press the locking plate on the blade guard, and at the same time push in the blade guard (Pic 2). The blade guard is now installed.



9. CHARGING YOUR DRONE BATTERY

BATTERY WARNING:

Lithium Polymer batteries can expand, burst or catch fire if used incorrectly, causing both property damage and personal injury. It is essential that you follow all the included instructions and safety warnings in full. The manufacturer, distributors and retailers will assume no liability for the failure to comply with these safety instructions and warnings.

INSTRUCTIONS WHEN CHARGING:

- The battery must be removed from the product before charging.
- If the battery has just been used, please let it cool down to room temperature before charging.
- Charging must only be undertaken by an adult. Only use the charging cable that is included with this product.
- Always charge the battery on a non flammable heat resistant surface with non flammable surroundings.
- Connect the battery to the USB charging cable
- Connect the USB Charging cable to your USB Charging devices. The RED LED on the battery will light up while charging, and will turn off once the battery is fully charged. It takes around 60-70 minutes to fully charge the battery. Never continue to charge the battery after the RED LED has turned off.



7) Lithium Polymer batteries do not last forever. If your battery becomes damaged in a crash or no longer charges properly, immediately replace it with a new battery. To prolong the life of your battery, it is always best to retain a bit of charge in your battery prior to charging it.

Remark: Only the USB charging cable supplied in this product should be used for charging.

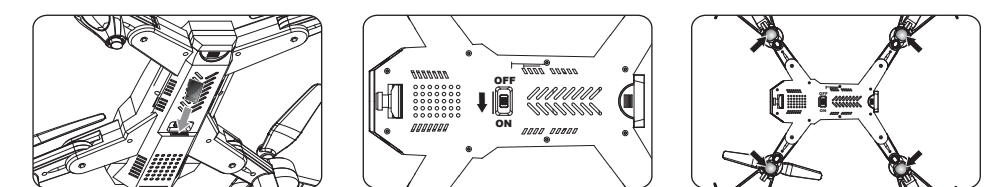
10. SAFE FLIGHT ENVIRONMENT

- Follow all local / municipal / federal rules and regulations for operating a drone.
- Make sure the surrounding area is free of all people, pets or other obstacles before you start to fly.
- The drone is designed for outside flying, or indoors if you have enough space. Do not use in strong wind.
- Leave 1.5 meters between you and the drone at all times.

20. USING THE CAMERA

You must use the "XSW UFO" app to take photos/videos (see below section on Using the App). Photos and videos are saved to your phone and SD card on the drone. Note: the Photo and Video buttons on the remote control are not operational in this model.

21. INSTALLING THE MICRO SD CARD



Step 1: Insert the memory card into the camera. You must make sure you insert the memory card the correct way up (see picture). If you insert the memory card up side down it will get stuck and your camera will not work.

Step 2: Turn on the the Power Switch of the Drone as you would for any normal flight.

Step 3: The four light will show on the camera whenever the drone is in use. The Two tail light will flash once when you take a photo, and it will Keep flash when taking a video.

22. INSTALLING AND USING THE APP

1. INSTALLING THE APP:

Scan the QR code below to download the app for your smartphone. Or search for the app: "XSW UFO"



2. USING THE APP:

- Connect the model to the power, the indicator on camera light up.
- Enter the "setting" menu of your mobile device and turn on WIFI.
- Find a WIFI network called "Wif-720P-****" and click connection until "connected".
- Open the "XSW UFO" software, click the "play" icon in the control interface – you will see the real time video.
- Follow operational instructions for the app.

23. REPLACING BLADES / BLADE GUARDS AND FIXING FLYING ISSUES

- BLADE REPLACEMENT:** Your Drone blades are very strong, but sometimes they can get damaged with a bad crash. You have spare blades in the box, and to replace them it is as easy as just placing a new one back on over the motor bar. Carefully remove the silver cap, then swap out the blade. You must always replace an A Blade with an A Blade, and a B Blade with a B Blade.
- Drone NOT LIFTING OR NOT FLYING IN YOUR CHOSEN DIRECTION:**
 - The most common reason for a Drone not lifting or flying in your chosen direction properly is that you have hair and debris wrapped around one or more of the blades. This is simple to remove, just take off the blade. Remove the debris, and place the blade back on.
 - The batteries in either the Drone or Controller may need charging (or replacing if it's the batteries in the controller).
 - You may have knocked your Trim Button settings out of sync. Follow the instructions earlier in this booklet to reset them back to the factory settings, and then re-trim as desired.