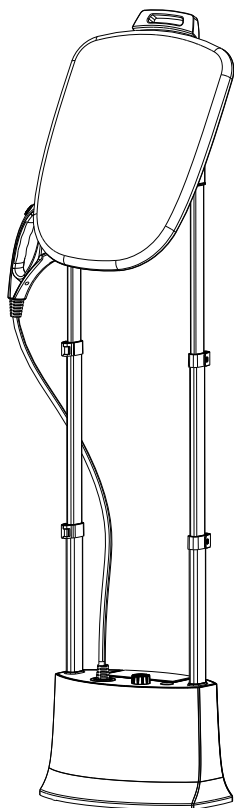




## **CIRAGO GARMENT STEAMER**

Multipurpose steam Iron Station Vertical  
ironing, dry press, and steam press



Thank you for your purchase of CIRAGO Garment Steamer. Before using the unit for the first time, please read this manual carefully and save it for future reference.

## IMPORTANT SAFEGUARDS

---

When using electrical appliances, basic safety precautions should always be followed, including the following:

1. Make sure the voltage in your outlet is the same as the voltage indicated on the appliance's rating label. The power supply should be proper grounding. To avoid danger, do not operate any appliance with a damaged cord or plug.

Return appliance to an authorized service center for examination, repair or adjustment and replace only with the manufacturer's power cord.

2. Do not share a power supply with other high power electrical appliances. Unplug from outlet when not in use. Do not let cord hang over edge of table or counter, or touch hot surfaces.

3. To protect against electrical shock, do not immerse the cord, plug, iron or main unit in water or other liquids. Never yank cord to disconnect from outlet, instead, grasp plug and pull to disconnect.

4. Do not operate appliance while empty or without water in the reservoir. Before connecting to power supply, inject enough water into the reservoir. Always pay attention to the water level to avoid water runs out. Unplug before draining the unit.

5. Extreme caution must be taken to prevent direct contact of hot steam or liquid with human body. Do not touch the steam or soleplate during or after operation.

6. Unplug before putting on or taking off parts, and allow it to cool for at least an hour before cleaning. See this instruction manual for cleaning methods.

7. If any of the following circumstances occurs, this product may not be used. It is recommended to return appliance to an authorized service center for

Power cord or plug has been damaged or deformed.

After plug in standard power, the unit has no display and cannot be used. Steamer base has been damaged or seriously deformed.

Other abnormal situation occurs

8. This appliance is intended for household use only. Do not use outdoors or for other commercial propose.

9. Do not attempt to dismantle, repair, or change any of the accessories on this machine, if damaged, please return it to the service center to repair.

10. Do not allow children to operate this machine.

11. Do not place the insulating host on the ground and do not apply excessive bending.

12. Do not place the machine near inflammables.

13. Do not use power board unless it is really necessary. Choose a proper power board or extension cord to prevent wire overload to cause fire hazards.

## WARNING

1. the appliance is not to be used by persons (including children) with reduced physical, sensory or mental capabilities, or lack of experience and knowledge, unless they have been given supervision or instruction

2. keep children away from the steam iron.

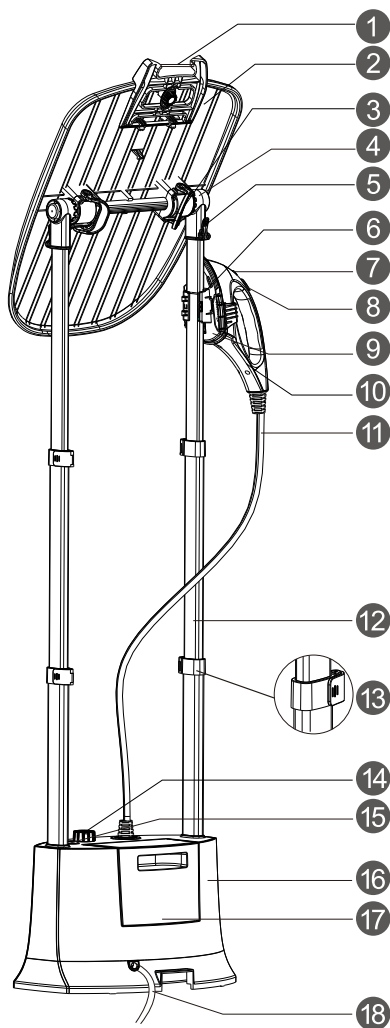
3. the iron must be used and rested on a stable surface

4. when placing the iron on its stand, ensure that the surface on which the stand is placed is stable

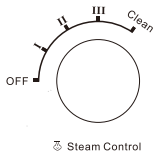
5. the iron is not to be used if it has been dropped, if there are visible signs of damage or if it is leaking

## PRODUCT COMPONENTS AND ATTACHMENTS

1	clothes hanger
2	ironing board
3	rotary wrench
4	Fixed slot
5	fixed slot wrench
6	iron rest
7	temperature indicator
8	steam switch
9	iron rest wrench
10	iron
11	connecting tube
12	support aluminum rod
13	aluminum rod wrench
14	steam control knob
15	indicator
16	main unit
17	water tank
18	power cord



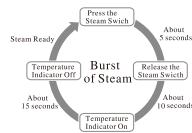
# PRODUCT COMPONENTS AND ATTACHMENTS



Electrical parameters:

Voltage:110-120V~50/60Hz

Water tank capacity:1.6L



🕒 Preheat time:25s

Power:1500W

preheat time:25s

## STEAM VOLUME TUNING

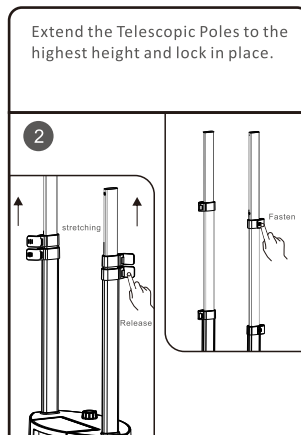
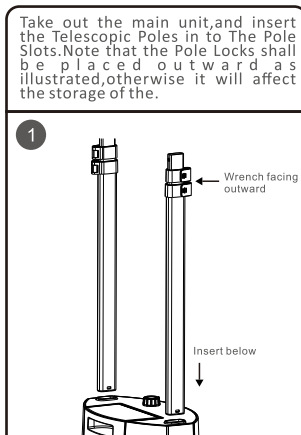
select from 3 different steam power modes by turning the knob. From level low to high, the steam volume increases from weak to strong. The lastting is the Clean Mode for cleaning the steam iron.

The Burst of Steam function boosts the steam power,ideal for ironing thicker materials and fabrics (jeans,wool ,cotton,linen)and removing hard to reach creases.

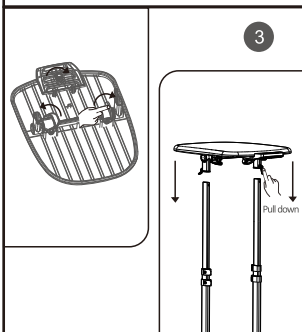
To produce a quick powerful shot of steam during ironing,simply press and release the Stean Switch(see instruction:"Use of Burst of steam"in the user manual.)

## SETTING UP YOUR STEAM IRON

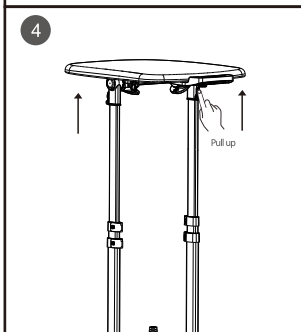
- 1.Unpack and check to see if any components are missing.
- 2.Follow the Figure 1 to 6 steps from below to assemble the machine.



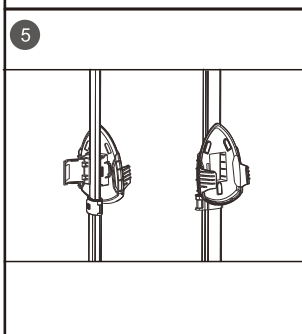
Insert the Iron Rest (Component 6) on one of the Telescopic Poles, and adjust to a comfortable height and fasten the wrench to lock. Note that the Iron Rest shall be placed out ward as illustrated, otherwise it will affect the storage of the ironing board.



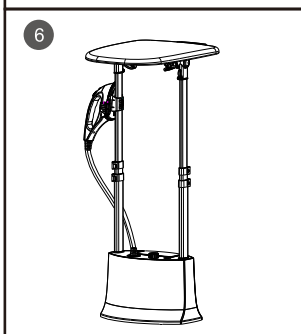
Place the Cloth Hanger (Component 1) onto the top of the Telescopic Pole.



**Ironing board assembly:**  
Take the ironing board out of the package, press the rotary wrench externally, turn the holder to 90 degrees, and then loosen the knob wrench. The support bar is inserted into the top of the aluminium rod at the two ends of the ironing board, and the fixed wrench is pulled down.



After transferring the ironing board as shown in the figure figure 6) press the fixing wrench upwards to fix the ironing board.



## BE CAREFUL

Attention should be paid to the direction of the wrench when assembling the aluminium rod, so that it will not be affected when the ironing board rotates and receives. Do not connect the power supply when assembling the machine. In order to prevent the machine from shaking when it is used, it is necessary to insert the support rod into the main engine.

## USE OF THE FABRIC BRUSH

The machine comes with a brush that could be used with steam ironing.

Assemble the brush as follows:

1. Turn off and unplug the iron, allow all the steam to come out and the iron to cool down for an hour.
2. Align the tip of the iron with the brush buckle. Hold the brush and then push the iron towards the brush buckle until they are tightly connected. (Figure 7)

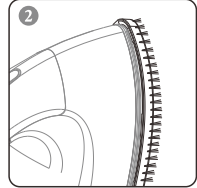
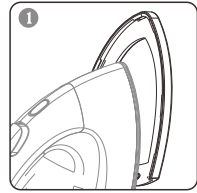
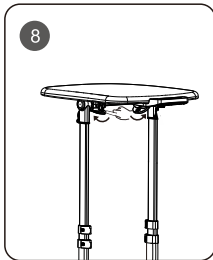


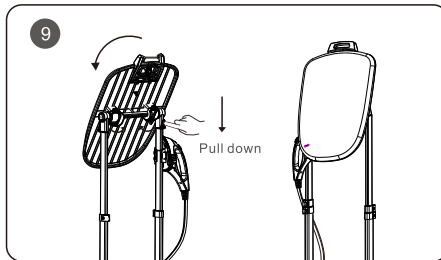
Figure 7

## OPERATION PROCEDURE

Unlock the Board Lock, then rotate the ironing board to a vertical position, stabilize the board and lock the rotary wrench. Flatten garments to be ironed on the ironing board. (Figure 8, 9)



As shown in the figure, after the ironing board is assembled, the fixed plate hand is buckled upward. It can be ironed flat by fixing the ironing board.



Rotate the ironing board 90 degrees, pull back the revolving wrench, pull down the fixed wrench, and then hang the ironing board.

## FIRST USE METHOD

### REMINDER

After assembling the machine, it is recommended that you follow the following steps when using it for the first time.

Board Cover by securing it from the wide side of the ironing board to the tip of the ironing board, and then adjust.

Preparing The Appliance - Inject Water

Before injection, make sure the power is switched off the machine is unplugged.

1.Place the unit on a stable ground, and remove the Water Tank. (Figure10)

2.Inverted the tank and screw open the tank lid, then add water to the full, and then tighten the lid cap. (Figure 11)

3..Place the tank back into the host, the water will automatically flow into the heater. (Figure 12)

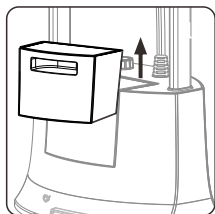


Figure 10

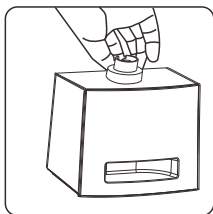


Figure11

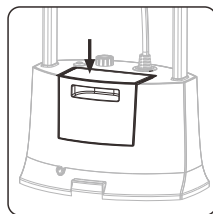


Figure12

## NOTE

- 1.The use of demineralised water or distilled water is recommended to extend the product life
2. Never add additives (e.g. perfumed), chemicals or detergent to the water, as these products will damage your steam iron.
- 3.Do not add hot water; otherwise it will damage the water tank and the inside of the machine.

## CLEANING

1. Verify that the knob switch is in the closed state (at this time the working indicator lights up red). (Fig. 5)
2. Rotate the rotary switch to the cleaning gear. (Fig. 5)
3. Press the steam switch machine on the iron handle and the machine enters the cleaning state. At this time, the host machine will have a "click sound", which is a normal phenomenon. (Fig. 6)
4. after about 30 seconds, the machine will spray hot water and clean it until no sewage ejected (the machine has a drip sound prompt). (Figure 7)
5. Put the knob switch knob to the gear you need to iron. (Figure 8)
6. Press the steam switch to ironing clothes.

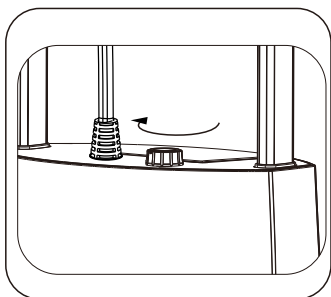


Figure 13

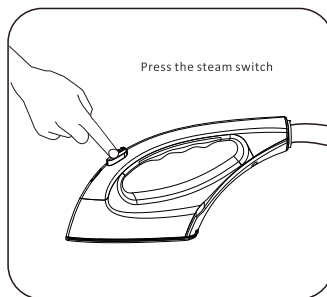


Figure 14

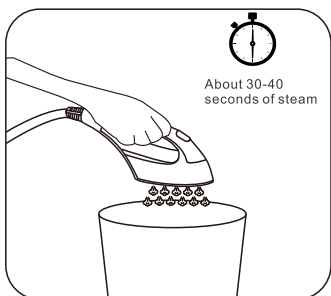


Figure 15

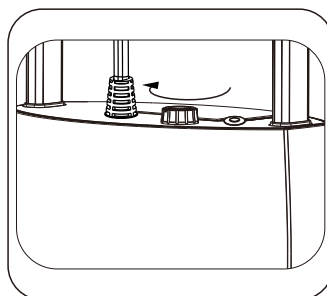


Figure 16

## BE CAREFUL:

Later, each time the switch is turned on, it will wait 30 seconds in any gear, so that the steam will be ejected when the iron is heated for 30 seconds and the steam switch is pressed.



## VERTICAL STEAM IRONING INSTRUCTION:

1. Hang garments on the Cloth Hanger(Figure 17) on the machine, or hang garments on additional cloth hangers and place , on the machine's hanger. (Figure 18)

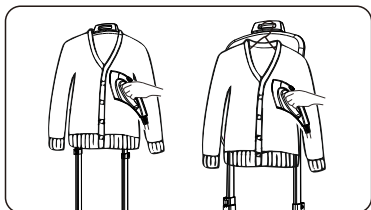


Figure 17

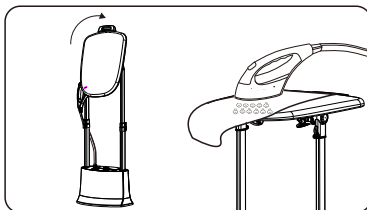


Figure 18

2. Insert the plug to an appropriate power outlet, and the indicator light inside the Steam Control Knob will turn red, indicating that the machine is powered. Tune the knob to the desired operating range, then the knob lights up in blue, the machine starts to work. (Figure 19)

When choosing steam level low to high, wait until the Temperature Indicator Light turns off , press the Steam Switch and the steam will come out from the nozzle. (Figure 20)

In order to generate continuous steam, you can keep pressing the Steam Switch , or lock the switch by pressing the switch while pushing back the Steam Switch Lock. Use a sweeping movement from bottom to top or left and right, to press the fabric. (Figure 21)

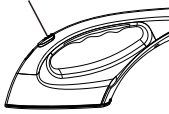
Release Steam Switch



Dry Ironing

Figure 19

Press Steam Switch



Steam Ironing

Figure 20

Press Steam Switch



Burst of Steam Ironing

Figure 21

3 .After ironing, release the Steam Switch, put back the iron on iron rest.

4.After use, rotate the Steam Control Knob counterclockwise to the OFF position, and then the machine turns off. The indicator light inside the knob turns red. If the machine is idle for an extended period of time, unplug the power cord.

## WARNING

- 1.Do not bend and distort the hose as that would damage the hose.
2. Do not excessively pull on the hose.
- 3.Keep children away from the steamer.
4. when you have finished ironing, place the iron back to the iron rest.

## PROFESSIONAL IRONING

Please turn the knob switch on the main engine to the professional gear first. (At this time, the indicator light on the knob switch is red. (FIG. 22)

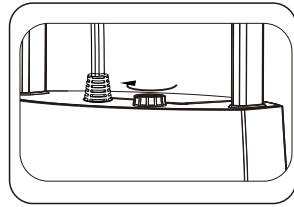


Figure 22

When the red indicator on the iron handle is off, press the steam switch on the iron handle for 3-5 seconds to release (no locking). (Fig. 23) After 10 seconds, the temperature indicator on the handle lights up, and after about 25 seconds, the temperature indicator lights out. Press the steam switch on the handle again.

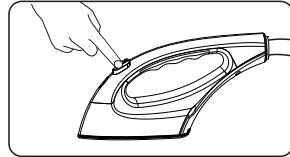


Figure23

## PULSE STEAM IRONING

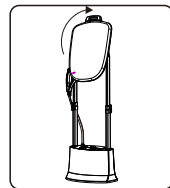
Pulse steam ironing mode mainly provides a fast and penetrating steam beam for removing the most stubborn and difficult to penetrate creases. 2) Pulse steam ironing must be tried several times according to the operation method before ironing clothes. Only after mastering the operation method, can the clothes be ironed. In order to avoid improper operation, ironing head spray wet or dirty your clothes.

## WARNING

Professionals and non-professionals should be proficient in operating methods before using them. If not properly operated, the sprinkler will have hot water and dirty scale spraying, dirty your clothes or be scalded by the hot water of the sprinkler.

## HORIZONTAL STEAM IRONING INSTRUCTION:

Unlock the Board Lock, then rotate the ironing board to a horizontal position, stabilize the board and lock the Side Supporting Stand Wrench. Flatten garments to be ironed on the ironing board.(Figure 24)



(Figure 24)

2. Follow the steps 2 to 5 from 'Vertical Steam Ironing Instruction' to iron the cloth. (Figure 25)

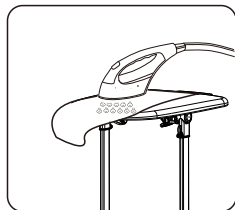


Figure 25

## CLEANING AND MAINTENANCE

### When not in use for a long time or place into storage

Close the knob switch, pull out the plug, put the iron on the hook

- 7.2. Put the ironing board away and store in a dry place. (Fig. 26)
1. Loosen the middle aluminium wrench and rotate it downward.
2. Turn the ironing plate fixed seat 90 degrees outward to pull back.

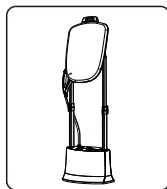
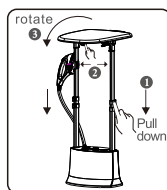


Figure 26

## TIPS

1. The soleplate temperature is about 130 degrees Celsius, and the steam temperature is about 100-190 degrees Celsius. The iron will not damage most of the fabrics. For extremely delicate fabrics, test iron a small area on the backside or inside of the garment if you are unsure about the type of fabric.
2. The machine has both dry ironing and steam ironing functions. Press the steam switch for steam ironing function. And release the steam switch for dry ironing.
3. To remove stubborn wrinkles from thick clothes and hard fibers, use the Burst of Steam function to optimize the result.
4. The machine is drained after product testing. For the first time use, rotate the Steam Control Knob to the Cleaning position. It takes about 30 seconds to one minute for the steam to fill the main unit and the hose, and the nozzle. When the steam is out from the iron, re-adjust the Steam Control Knob according to your need for ironing.

### **Warning**

1. Do not over bent or twisted the Insulation Hose , otherwise it will damage the pipes, and the power supply, resulting in leakage of water and electricity causing electric shocks.
2. Always set the iron on the Iron Rest to prevent heat burn after each use. Make sure the ironing board is stable.
3. Some ' Puff,puff' sounds will come out from the unit when water runs out. Please add water or stop the machine to prevent overheat the pumps to extend the product life.
4. There will be water leftover in the iron nozzle after each use. If the unit is not in use for a long time, before reuse, please flush out the water residue by turning the Steam Control Knob to Cleaning position and press the Steam Switch, while pointing it away from the clothes. This will release any condensation from the iron and prevent water marks on the clothes.
5. Do not point the iron at people or pets while using the steam iron.
6. Do not iron or vertical steam clothes that are being worn. Do not point vertical steam in the direction of people or pets.

### **AFTER USE AND MAINTENANCE:**

1. Turn the Steam Iron off and unplug.
2. Drain the unit and water tank after using. Do not store the steam iron with water in it.
3. Wait until the iron has cooled completely before storing it, and always set the iron on the Iron Rest to protect the soleplate from scratches, corrosion or stains.
4. When the unit is not in use for a long time, you can fold the ironing board, lock the board to the unit as illustrated for storage.
5. Place the unit in a dry place.
6. Starch and other residue may be easily removed from the Sole plate with a damp cloth. To avoid scratching the finishing, never use a metallic pad to clean the Soleplate, and never place the iron on a rough surface.

### **REMOVE WATER SCALE AND DEEP CLEANING:**

In hard water areas, the scale may build up on the heating element. If distilled water is not used, and scale is allowed to accumulate, the steamer efficiency and product life will be compromised. In order to prolong the effectiveness of your appliance and avoid any traces of lime scale, you must rinse the reservoir at least once a month as described below:

1. Turn off the unit and unplug it. Wait for at least one hour until the unit cools down completely.
2. Mix water and clear vinegar at 1 :1 portion and pour the mixture into the reservoir in the main unit, and fill to the top. Then plug in the unit, turn the Steam Control Knob to the Cleaning position, press the Steam Switch, and point the iron soleplate towards the sink.
3. Point the iron at the sink or trash bin. Do not point the iron at people or pets while using the steam iron. Steam and boiling hot water will emit from the nozzle on the soleplate. The discharge contains scales and minerals that deposited in steam chamber in previous uses. Please be cautious with the discharged hot water, to prevent burns.
4. Gently move the iron back and forth until the water is empty. Add more distilled water into the reservoir if necessary until no water scale is coming out from the nozzle.
5. After every 50 hours of usage, please take out the water tank, disassemble the telescopic poles and ironing board from the main unit, and empty the remaining water from the unit. At the bottom of the main body, take out the filter and wash it under running water, rinse the inlet and outlet holes on the filter for at least 5 times each. Then place it back to the unit. Please do not lose the gasket seal.
6. If you use tap quality water, replace the filter after about 300L water.

## TREATMENT OF SEDIMENTS

Because of the high mineral content of tap water in different regions, more scale deposits will occur in the heater of the machine over a long period of time, which will affect the normal service life of the machine. If you can not guarantee that mineral-free water or distilled water can be used every time you use it, we recommend that you follow the following steps at least once a month to reduce the amount of scale deposits. Precipitation of scale

9.1 Add vinegar water mixture into the tank and rotate to the cleaning gear position on the main engine about 100m. Hold the steam switch on the handle and the machine will start to clean automatically. (At this time, there will be more scale and hot water spraying from the bottom of the sprinkler head. Please place the iron against the trash can to prevent scalding and dirty the floor. About 2 minutes, 9.2 wait for the mixing of the water tank. After liquid cleaning, filter water or distilled water is added to the tank again, and repeated operation is carried out according to the cleaning operation method, so that the mixed liquid is completely discharged from the sprinkler until the sprinkler has no dirty water to eject.

## COMMON PROBLEMS AND SOLUTIONS

FAQ	CAUSE	TREATMENT METHOD
No steam is ejected and the switch indicator does not illuminate.	No power connected	Connect the power supply
	1) Circuit failure 2) The fuse blew out	Ask professionals to check.
Low steam volume	1) The scale sediment clogs the pipe; 2) Working gear position is in the lowest gear; 3) Water level is too low.	1) Refer to the instructions for the removal of sediment ; 2) Adjust the working gear ; 3) Check the water level in the water storage tank.
Device is leaking	The drain is not tightened.	Tighten the drain
Nozzle is leaking	1) Nozzle is broken 2) Excessive steam volume	1) Replace the nozzle 2) Reduced steam volume
No steam is generated after opening.	The fuse blew out or the thermostat gear switch is loose.	Ask professionals to check
	The steam switch may not open.	Turn on the steam switch
The steam is blown out intermittently.	Scale on the inner wall of the water tank affects heating.	Refer to the instructions for the removal of sediment;
Alarm at startup	There's no water in the sink.	Before placing the water tank, add more than 200 ml of water to the sink.

# CIRAGO



[support@cirago.com](mailto:support@cirago.com)